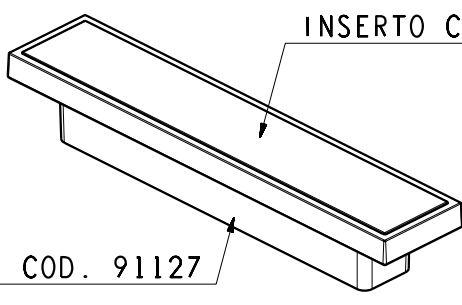
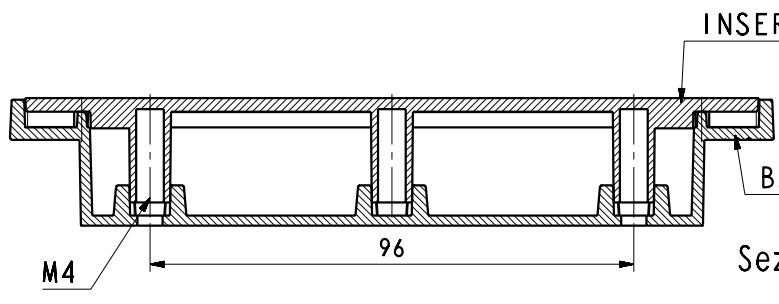


BASE COD. 91127



INSERTO COD. 910241



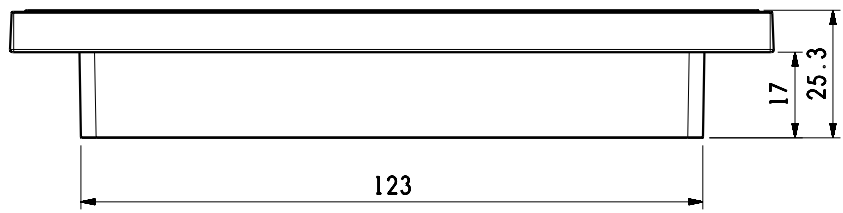
INSERTO COD. 910241

BASE COD. 91127

M4

96

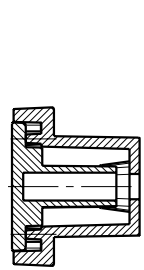
Sez. B-B



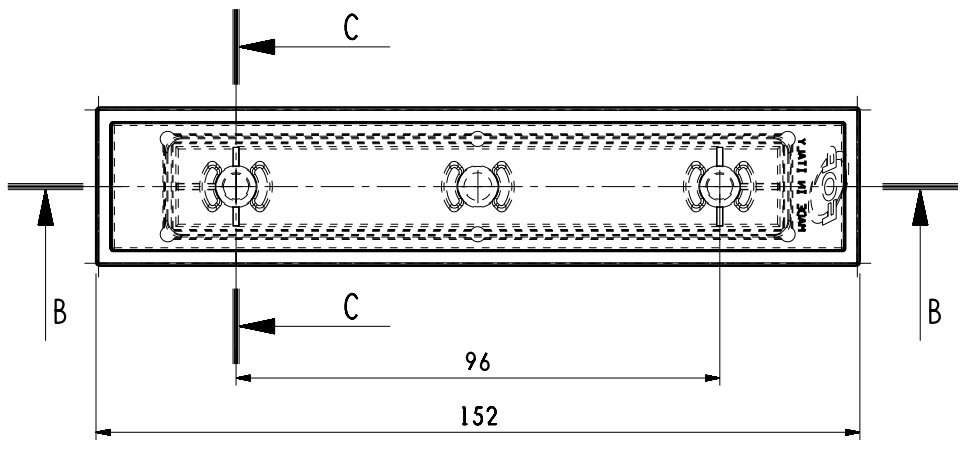
123

17

25.3

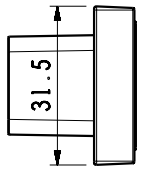


Sez. C-C



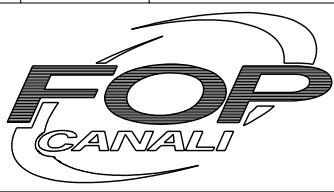
96

152



31.5

MATERIAL: ABS



REV	POSITION	DESCRIPTION	DATE	NAME
		UNIT mm	TYPE DRAFT DRAWING	CREATED BY ****
		FILENAME ****	CREATION DATE ****	FORMAT A4
		CLIENT ****	PART CODE	REVISION ***
		ART. 1127	TOOL CODE	SHEET 1 / 1
		PROJECT NAME ****	CHECKED BY ****	CHECKED_DATE ****